

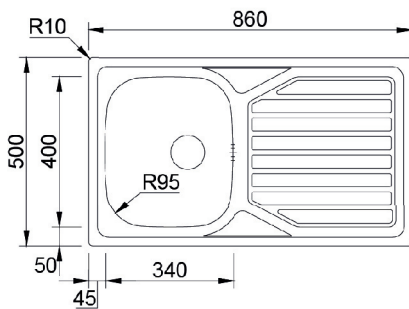
Reversible monobloc sink with 95mm radius for inset installation.

FINISHINGS:

● Polished

Technical Details

What you need to know



External Measure **860x500mm**

Bowls Measure **340x400mm**

Depth **160mm**

Package **Individual Box**

Cabinet Size **450mm**

Cutout Sizes



Inset Installation

