

# Montpellier

THE PERFECT BALANCE OF FUNCTION AND STYLE

LAUNDRY - DISHWASHING - COOKING - COOLING

Installation and Operating Instructions



**Integrated Combi Microwave**

MWBIC90029 - 25Ltr Capacity

Please read these instructions carefully before attempting to install or use this appliance. We recommend that you keep these instructions in a safe place for future reference.

# Welcome

---

Thank you for choosing this Montpellier Integrated Combination Microwave.

Our Microwaves have been designed to provide you with the best combination of style, reliability and performance to give you years of trouble-free use.

You may be familiar with a similar product, but please take time to read these instructions carefully before installing or using your Integrated Microwave to ensure you get the most from your purchase.

We recommend that you keep this manual in a safe place for future reference.

Your Integrated Microwave is covered by a comprehensive two year Parts & Labour Guarantee. In the unlikely event that you experience a problem with your Microwave, you can rest assured that you are fully protected against the cost of repairs for the first 24 months. Please note that any claim must be accompanied by the model reference number, serial number and proof of purchase.

To activate your guarantee, you will need your product serial number. This can be found on the rear of the machine.

There are two ways to register your Guarantee:

- **Online:** Visit the Support page on our website and complete the online Product Registration form. [www.montpellier-appliances.com](http://www.montpellier-appliances.com)
- **By Post:** Simply detach and fill in the form provided, attach a stamp and send it in the post. Don't forget to include your e-mail address so that we can send confirmation through to you.

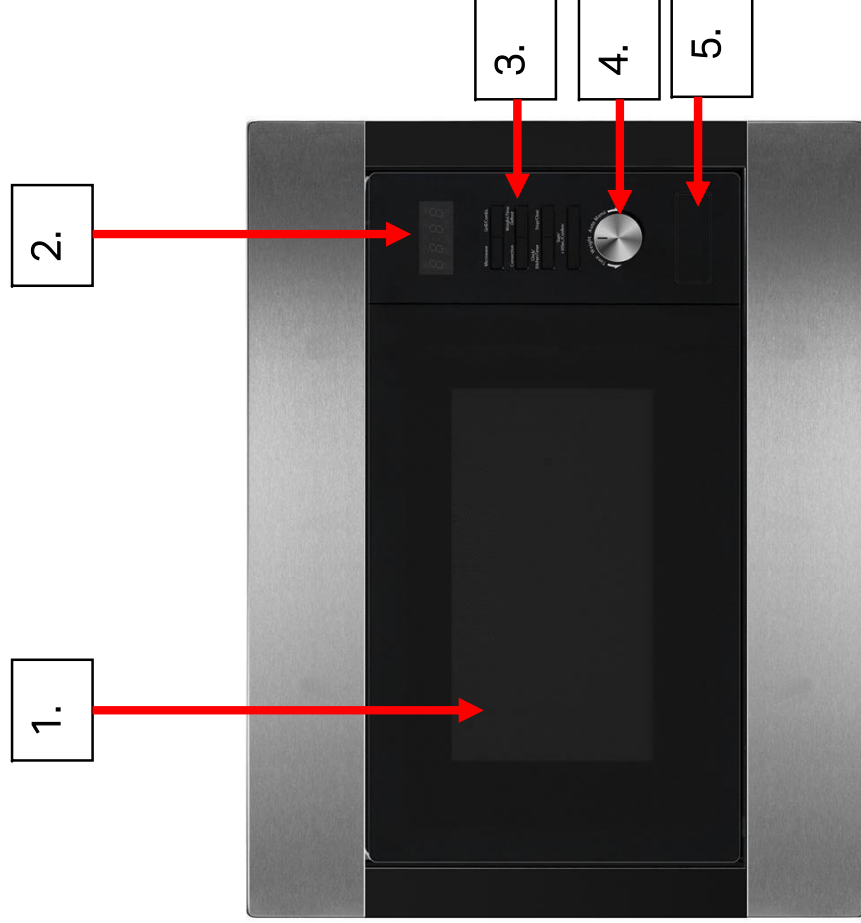


**Note:** We are unable to take registrations over the phone.

---

**2**  
**YEAR**  
**GUARANTEE**  
— PARTS & LABOUR —  
ACROSS ALL OUR MODELS  
**Montpellier**  
www.montpellier-appliances.com

## Description Of The Appliance



1. Door & Viewing Window
2. LED Display Panel
3. Control Panel
4. Rotary Selector Knob
5. Push Button Door Control

(Picture indicative of model supplied)

# CONTENTS:

Section 1. Installation

Section 2. Safety Advice

Section 3. Operating the Appliance

Section 4. Maintenance

## Section 1. Installation

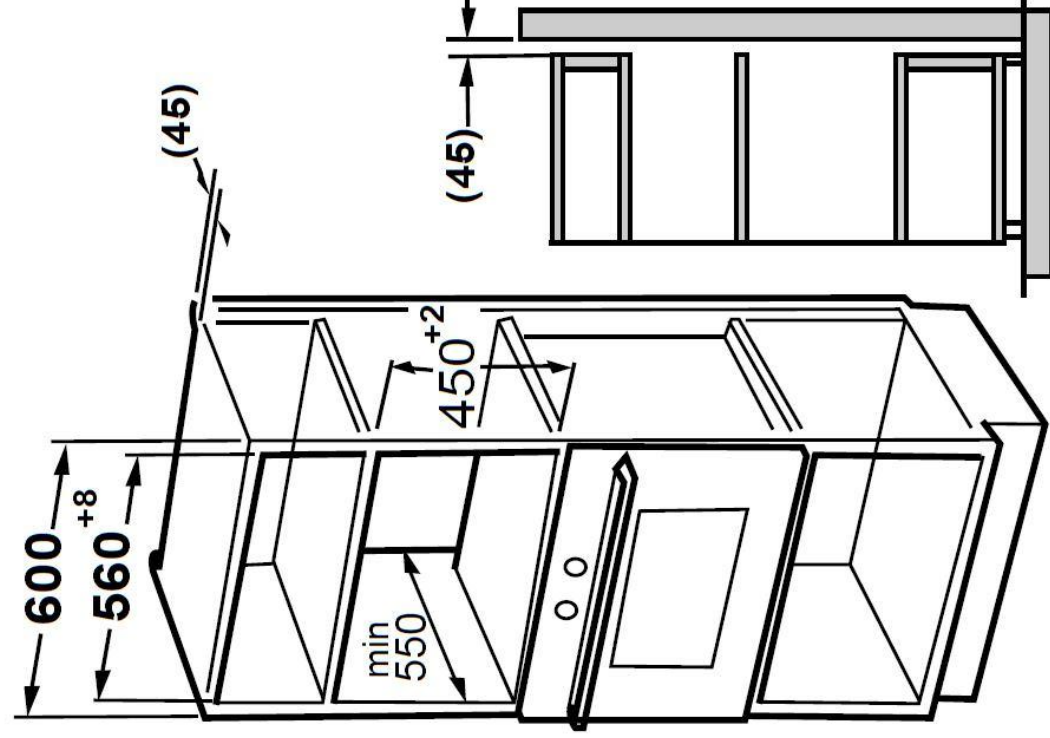
- Remove all packaging, protective film and securing tape from the appliance.
- Wash the interior of the appliance with warm soapy water.
- Position the appliance in a dry atmosphere.
- Keep the microwave oven away from the TV, Radio or antenna as picture disturbance or noise may occur.
- Please note that certain parts of this appliance have been protected with a light film of oil. During initial use you may see light smoke coming from the oven as the oil is burnt off. This is quite normal.
- Connect the plug to an adjacent 'easily accessible' 13amp socket outlet and ensure that the appliance is not standing on the supply cable.
- Never operate this oven without food or liquids inside
- Remove the turntable and rotating ring from the packaging, wash in warm soapy water and dry thoroughly. Fit the rotating ring on the base of the interior and then carefully place the turntable onto the rotating drive, ensuring that it 'locks' into place.
- The turntable and rotating ring can be removed from the appliance and washed using warm soapy water
- Replace the rotating ring on the base of the interior and then carefully place the turntable onto the rotating drive, ensuring that it 'locks' into place
- This appliance is fitted with a safety door interlock. Do not operate the appliance if either of the two interlock levers are damaged. Please note that the appliance will fail to operate if the door has not been closed correctly.
- The turntable rotates whilst the appliance is operating – this helps the food/liquids to cook/heat more evenly.

**N.B. This appliance must be installed by a qualified installer.**

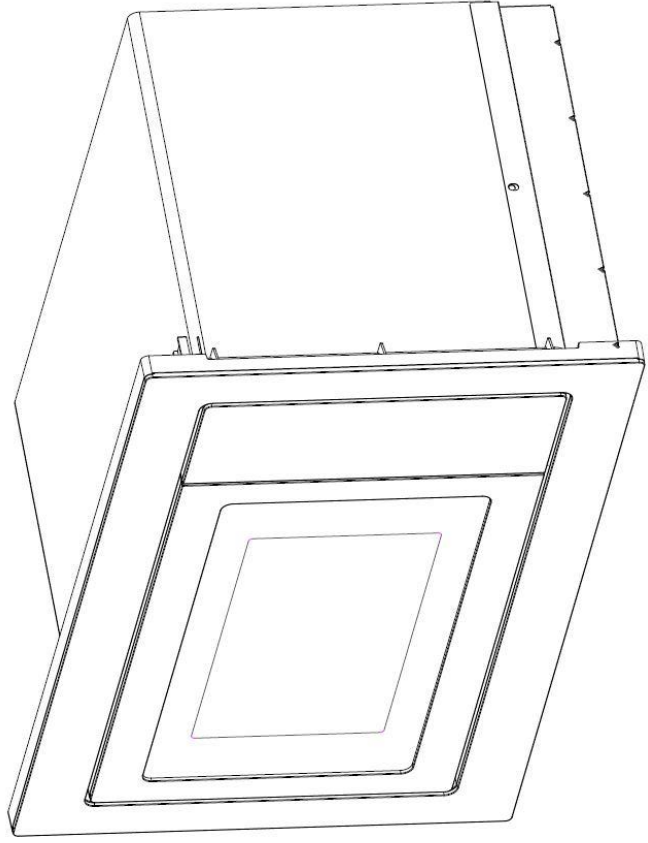
To install this appliance, please proceed as shown in diagrams 1 to 5 below:

- The plug fitted to this appliance must be connected to an adjacent 13amp plug socket.
- If the socket is located behind the appliance and no longer accessible to the consumer, you must ensure that the consumer can turn off the appliance via an accessible switched spur socket.
- You must ensure that the cable is not trapped beneath the appliance.
- If the power supply cord is damaged, it must be replaced by the manufacturer, it's service agent or similarly qualified persons in order to avoid a hazard.

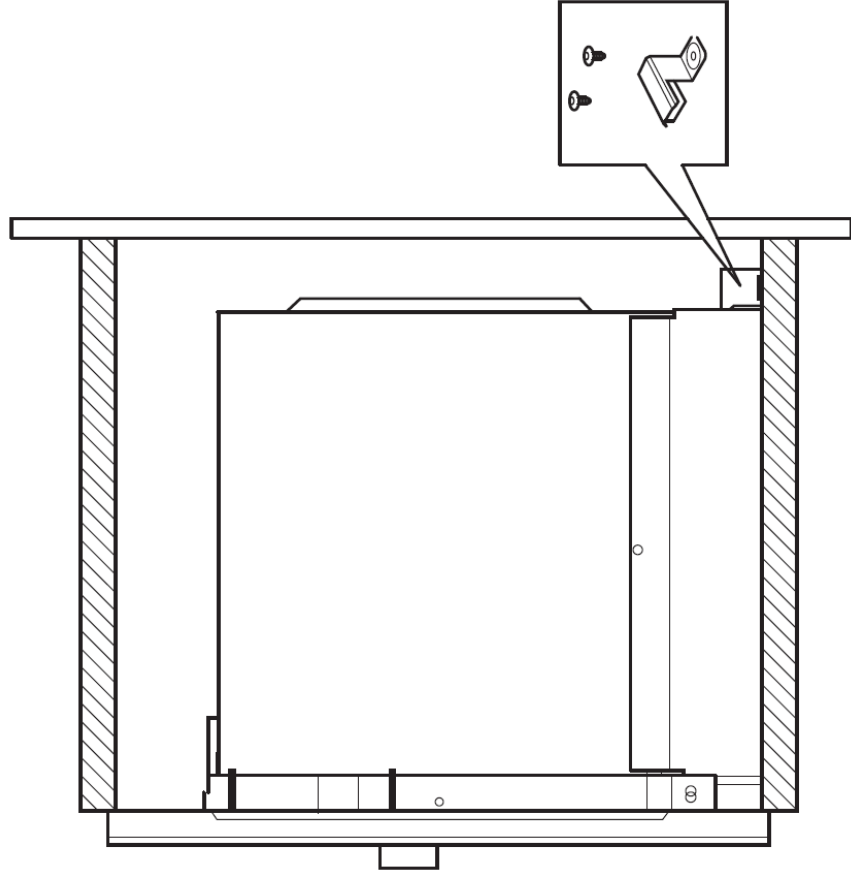
**1.**



2.

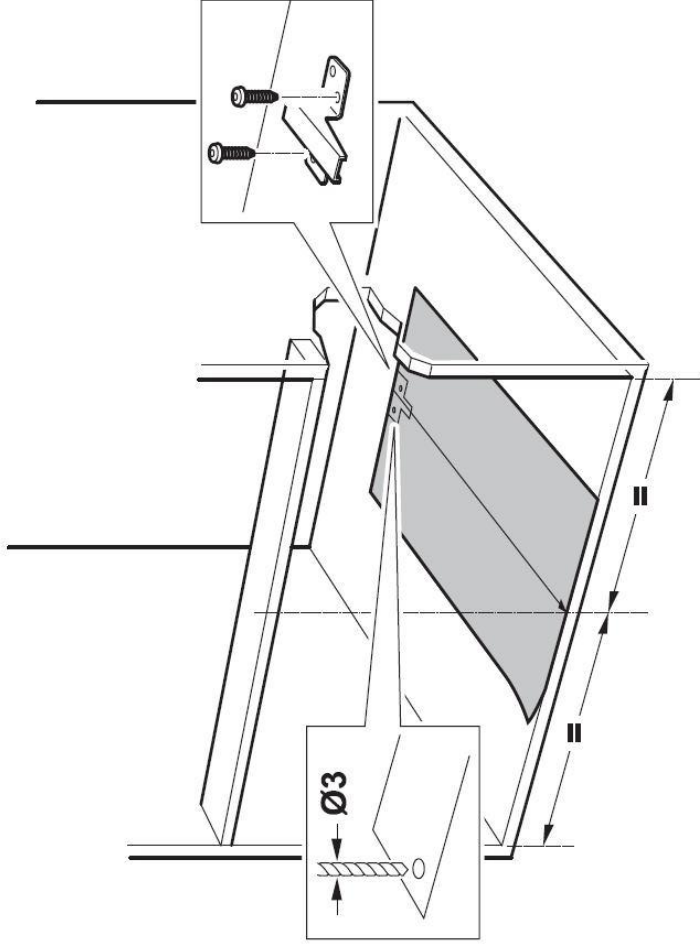


3.

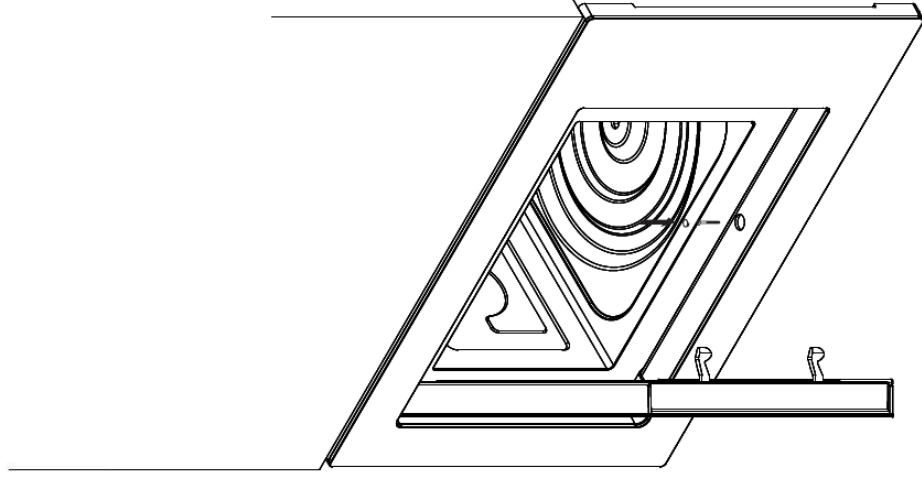




4.



5.





## Section 2. Safety Advice

- Please read this booklet thoroughly before installing and switching on the appliance. The manufacturer accepts no responsibility for incorrect installation and usage.
- This appliance is guaranteed for Domestic Use Only.
- The appliance shall not be used by children aged from 8 years and above and persons with reduced physical, sensory or mental capabilities, or lack of experience and knowledge, unless they have been given supervision or instruction on how to use the appliance in a safe way and understand the hazards involved. Children shall not play with the appliance. Cleaning and user maintenance shall not be made by children without supervision.
- This appliance must only be used for cooking/heating foods and liquids. Do not use it for any other purpose.
- If using an adaptor, this must be used in accordance with the manufacturers instructions and ensure that the electrical circuit is not overloaded as this could cause overheating.
- Do not twist or bend the cables, and keep them away from hot surfaces.
- If the power supply cord is damaged, it must be replaced by the manufacturer, it's service agent or similarly qualified persons in order to avoid a hazard.
- Do not plug in or unplug this appliance with wet hands.
- Following installation make sure that the power cable is not trapped underneath the appliance.
- Remove all twist-ties from food bags before placing them in the oven.
- Do not heat oil or fat inside the oven.
- Do not over cook food inside the oven.
- Do not heat sealed containers or try to cook eggs (inside their shells) in this oven – they may explode.
- Potatoes, sausages and items such as chestnuts must be peeled or pierced before placing them in the oven.
- After liquids have been heated in the oven wait a few moments before removing the container – handle with care as the container may be hot – use protective gloves.

- Liquids and foods should be stirred and the temperature checked prior to consumption.
- If you cover a container with cling film, remove it very carefully after the cooking process has finished – steam will escape and may burn your hands.
- Always let the turntable cool down before washing it.
- Never cook foods directly on the turntable.
- Make sure that plates/dishes do not touch the walls when the turntable rotates.
- Keep the interior surfaces clean. Failure to do this could lead to the appliance malfunctioning.

**Important Utensil Information:**

- Do not use metal pans or dishes with metal handles.
- Do not use anything with a metal trim.
- Do not use paper covered wire twist-ties on plastic bags.
- Do not use melamine dishes as they contain a material which will absorb microwave energy. This may cause the dishes to crack or burn, and will slow down the cooking speed.
- Use only cookware that is approved to be used in a microwave oven.
- Do not cook using a container with a restricted opening, such as bottles, as they may explode.
- Do not heat baby bottles with the teat left on and remove the teat if replacing the bottle back into the oven.
- Only use thermometers that are approved for microwave ovens.
- Do not use the microwave oven for heating utensils.

## Section 3. Operating the Appliance

### 3.1. Setting The Clock

- Press the Clock/Kitchen Timer button once to select the clock function. The hours will flash in the LED panel.
- Turn the Rotary Selector knob to select the correct hour
- Press the Clock/Kitchen Timer button, the minutes will flash in the LED panel
- Turn the Rotary Selector knob to select the correct minutes
- Press the Clock/Kitchen Timer button to confirm the new time setting.
- N.B. The clock will not work correctly unless set when the appliance is first connected to the power.
- Press Stop/Clear at any point to return to the previous status.

### 3.2. Microwave Cooking



**Please refer to Section 2. Safety Advice for important utensil information.**

- Press Microwave, the LED will display P100
- Press the same button or turn the rotary selector knob to select either P100, P80, P50, P30 or P10.
- Press the Start button and then use the rotary selector knob to select the required cooking time
- Press the Start button again to begin cooking.
- Press Stop/Clear at any time to end or cancel the cooking time

Please note the following power levels:

- P100 = 100%
- P80 = 80%
- P50 = 50%
- P30 = 30%
- P10 = 10%



### 3.3. Grill Or 'Combi' Cooking

- 1) Press the "GRILL/COMBI." key once, and "G-1" display.
- 2) Press " GRILL/COMBI." for times or turn "  " to select the cooking mode.  
Stop turning when "C-1", "C-2", "C-3" or "C-4" displays.
- 3) Press "START/+30SEC./CONFIRM " to confirm.
- 4) Turn "  " to adjust the cooking time. (The time setting should be 0:05- 95:00.)
- 5) Press " START/+30SEC./CONFIRM " to start cooking.

#### Note: Combination instructions

Instructions	Display	Microwave	Grill	Convection
1	C-1	●		●
2	C-2	●	●	
3	C-3		●	●
4	C-4	●	●	●


### 3.4. Convection Cooking (With Pre-heat Function)

- 1) Press the "CONVECTION " key once, "130" flash.
- 2) Keep pressing "CONVECTION" or turn "  " to select the convection function.  
Note:the temperature can be chosen from 130 degrees to 220 degrees.
- 3) Press the " START/+30SEC./CONFIRM " to confirm the temperature.
- 4) Press the " START/+30SEC./CONFIRM " to start preheating. When the preheating temperature arrives, the buzzer will sound twice to remind you to put the food into the oven. And the preheated temperature is displayed and flash.
- 5) Put the food into the oven and close the door.  
Turn "  " to adjust the cooking time. (The maximum setting time is 95 minutes.)
6. Now press 'START' to commence cooking.


N.B. You cannot input a Cooking Time until after the pre-heat temperature has been achieved.

Open the door to input the cooking time.

### 3.5. Convection Cooking (Without Pre-heat Function)

- 1) Press the "CONVECTION" key once, "130" flash.
- 2) Keep pressing "CONVECTION" or turn " " to select the convection function.

Note: the temperature can be chosen from 130 degrees to 220 degrees.




- 3) Press the "START/+30SEC./CONFIRM" key to confirm the temperature
- 4) Turn " " to adjust the cooking time. (The maximum setting time is 95 minutes.)
- 5) Press the "START/+30SEC./CONFIRM" key to start cooking.

### 3.6. Multi-stage Cooking

Three stages can be maximumly set. If one stage is defrosting, it should be put in the first stage. The buzzer will ring once after each stage and the next stage will begin.

Note: Auto menu and preheating cannot be set as one of the multi-stage.

Example: if you want to defrost the food for 5 minutes, then to cook with 80% microwave power for 7 minutes. The steps are as following:

- 1) Press "WEIGHTTIME DEFROST" twice, the screen will display "d-2";
- 2) Turn " " to adjust the defrost time of 5 minutes;
- 3) Press "MICROWAVE" once;
- 4) Turn " " to choose 80% microwave power till "P80" display;
- 5) Press "START/+30SEC./CONFIRM" to confirm;
- 6) Turn " " to adjust the cooking time of 7 minutes;
- 7) Press "START/+30SEC./CONFIRM" to start cooking.


### 3.7. Quick Start



- 1) In waiting state, Press "Start/+30Sec./Confirm" to start cooking with 100% power, each added press will increase 30 seconds cooking time up to 95 minutes.
- 2) In microwave, grill, convection and combination cooking or time defrost state, each press of "Start/+30Sec./Confirm" can increase 30 seconds of cooking time.



### 3.8. Defrost by Weight


- 1) Press "WEIGHT/TIME DEFROST" pad once, the oven will display "d-1",



---
- 2) Turn "" to select the weight of food. At the same time, "g" will light, The weight should be 100-2000g.

---
- 3) Press "START/+30SEC./CONFIRM" key to start defrosting "" and "" indicators will flash and "g" indicator will go out.


### 3.9. Defrost by Time

- 1) Press "WEIGHT/TIME DEFROST" key twice, the oven will display "d-2"


---
- 2) Turn "" to select the cooking time. The maximum setting time is 95 minutes.

---
- 3) Press "START/+30SEC./CONFIRM" key to start defrosting. "" and "" indicators will flash .



### 3.10. Kitchen Timer

- (1) Press "Clock/ Kitchen Timer" twice, screen will display 00:00, clock indicator will light.
- (2) Turn "" to enter the correct time. (The maximum cooking time is 95 minutes.)
- (3) Press "Start/+30Sec./Confirm" to confirm setting, clock indicator will be lighted.
- (4) When the kitchen time is reached, clock indicator will go out. The buzzer will ring 5 times.

### 3.11. 'Quick' Microwave Cooking

In waiting state, turn "" left to choose cooking time directly then press "START/+30SEC./CONFIRM" key to cook with 100% microwave power. This program can be set as one of multi-stage.

### 3.12. Auto Menu

- 1) In waiting state, turn "  " right to choose the function wanted, and "A1", "A2", "A3" .... "A10" will be displayed.
- 2) Press "START/ +30 SEC./CONFIRM" to confirm the menu you need.
- 3) Turn "  " to choose the weight of menu, and "g" indicator will light.
- 4) Press "START/ +30 SEC./CONFIRM" to start cooking.

Note: Cake menu is under convection cooking with 180°C-warm-up function, and you should preheat first following the auto menu operation, when the oven reaches the temperature, it will stop working and sound to remind opening the door to put cake in, then press "Start/+30Sec./Confirm" to start cooking.

N.B. The Auto Menu Chart is shown on Page 19

### 3.13. Child Lock Function

Lock: In waiting state, press "STOP/CLEAR" for 3 seconds, there will be a long "beep" denoting entering into the children-lock state and "  " indicator will light. Screen will display current time or 0:00.

Lock quitting: In locked state, press "STOP/CLEAR" for 3 seconds, there will be a long "beep" denoting that the lock is released, and "  " indicator will disappear.

### 3.14. Unsuitable Materials/Utensils

Aluminum tray	May cause arcing. Transfer food into microwave-safe dish.
Food carton with metal handle	May cause arcing. Transfer food into microwave-safe dish.
Metal or metal-trimmed utensils	Metal shields the food from microwave energy. Metal trim may cause arcing.
Metal twist ties	May cause arcing and could cause a fire in the oven.
Paper bags	May cause a fire in the oven.
Plastic foam	Plastic foam may melt or contaminate the liquid inside when exposed to high temperature.
Wood	Wood will dry out when used in the microwave oven and may split or crack.



### 3.15. Suitable Materials/Utensils

Aluminum foil	Shielding only. Small smooth pieces can be used to cover thin parts of meat or poultry to prevent overcooking. Arcing can occur if foil is too close to oven walls. The foil should be at least 1 inch (2.5cm) away from oven walls.
Browning dish	Follow manufacturer's instructions. The bottom of browning dish must be at least 3/16 inch (5mm) above the turntable. Incorrect usage may cause the turntable to break.
Dinnerware	Microwave-safe only. Follow manufacturer's instructions. Do not use cracked or chipped dishes.
Glass jars	Always remove lid. Use only to heat food until just warm. Most glass jars are not heat resistant and may break.
Glassware	Heat-resistant oven glassware only. Make sure there is no metallic trim. Do not use cracked or chipped dishes.
Oven cooking bags	Follow manufacturer's instructions. Do not close with metal tie. Make slits to allow steam to escape.
Paper plates and cups	Use for short-term cooking/warming only. Do not leave oven unattended while cooking.
Paper towels	Use to cover food for reheating and absorbing fat. Use with supervision for a short-term cooking only.
Parchment paper	Use as a cover to prevent splattering or a wrap for steaming.
Plastic	Microwave-safe only. Follow the manufacturer's instructions. Should be labeled "Microwave Safe". Some plastic containers soften, as the food inside gets hot. "Boiling bags" and tightly closed plastic bags should be slit, pierced or vented as directed by package.
Plastic wrap	Microwave-safe only. Use to cover food during cooking to retain moisture. Do not allow plastic wrap to touch food.
Thermometers	Microwave-safe only (meat and candy thermometers).
Wax paper	Use as a cover to prevent splattering and retain moisture.

### 3.16. Cooking Tips

- a) Place thicker areas of food towards the outer area of the turntable and thinner food towards the centre
- b) Always follow the cooking instructions on the food packaging
- c) Turn or stir food during the cooking to ensure even cooking
- d) Allow the cooked food to 'stand' for a while before consuming
- e) If you use a 'browning' dish, stand it on a plate in the oven
- f) Do not let plastic 'cling film' to come in contact with the food during the cooking process

### 3.17. Normal Operating Points to Note

You will hear the sound of the motor during operation – this is quite normal.

There will be an audible 'buzzer/beep' at the end of the cooking period.

You may hear the turntable rotating inside the oven, this is normal.

You may see water on the inside of the door – this is quite normal due to condensation forming from some foods and/or liquids during the cooking process.

The microwave oven light may appear dim at times – this may happen during the cooking process and is quite normal, particularly during low power cooking.

Auto menu Chart

Menu	Weight(g)	Display	Power
A1 Reheat	150	150	100%
	250	250	
	350	350	
	450	450	
	600	600	
A2 Potato	1 (about 230g)	1	100%
	2 (about 460g)	2	
	3 (about 690g)	3	
A3 Meat	150	150	100%
	300	300	
	450	450	
	600	600	
A4 Vegetable	150	150	100%
	350	350	
	500	500	
	600	600	
A5 Fish	150	150	80%
	250	250	
	350	350	
	450	450	
	650	650	
	50(with water 450g)	50	
A6 Pasta	100(with water 800g)	100	80%
	150(with water 1200g)	150	
	200	200	
A7 Soup	400	400	100%
	600	600	
	475	475	
A8 Cake	475	475	Preheat at 180 degrees
A9 Pizza	200	200	C-4
	300	300	
	400	400	
A10 Chicken	500	500	C-4
	750	750	
	1000	1000	
	1200	1200	
	1200	1200	

## Section 4. Maintenance

Before any maintenance or cleaning work is carried out, **DISCONNECT** the appliance from the **ELECTRICITY** supply and ensure that the appliance is completely cool.

### 4.1. Internal Cleaning

Clean the interior and accessories with warm soapy water. Rinse and dry thoroughly. Do not use detergents, abrasive powders, highly perfumed cleaning products, wax polishes or cleaning products containing bleach or alcohol.

### 4.2. External Cleaning

Wash the fascia and door with warm soapy water. Do NOT use abrasive products.

### 4.3. What to do if something goes wrong

There is no power to the appliance:

- Check there is not a power cut
- Check there is power to the electric socket/appliance
- Check the fuse in the plug (Must be 13 amp)

The oven will not operate:

- Is the Timer control set to the required time?
- Has the door been closed correctly?

# Here For You

---

## After-sales assistance

If you continue to experience problems with your Integrated Microwave, please call the Montpellier customer service helpline on: **01759 487839**.

Please have all your product details available, including the model number, serial number, date of purchase, and your retailer's details before registering a fault.

The service call cannot progress without this information.

## Your 2 year Manufacturer's guarantee

THIS DOES NOT AFFECT YOUR STATUTORY RIGHTS.

Your new Montpellier appliance carries a free guarantee which protects you against the cost of repairs during the first 24 months from date of purchase provided that:

Any claim is accompanied by evidence of the model reference, model serial number and proof of purchase, such as a Sales Receipt, showing that the appliance was purchased within the 24 months prior to the date of claim.

## What is not covered under the Guarantee

- Any appliance not correctly installed and operated in accordance with the manufacturer's instructions.
- Any appliance that is used for anything other than domestic purposes.
- Any defect caused by accident, misuse, unauthorised modification or inexpert repair.
- Cost of Call-out where a fault cannot be found with the appliance.
- Cost of Call-out for work covering routine maintenance, such as, but not exclusively, cleaning of filters or defrosting.
- Cost of Call-out for work required to correct the alignment of doors following door reversal procedures carried out by you.
- Use of the appliance by anyone other than the Householder.
- Use in any commercial environment.
- Consumable items, such as, but not exclusively, fuses in plugs, bulbs and breakable items which require routine replacement.
- Repair costs incurred that have not been authorised by Montpellier and/or carried out by a non-approved Montpellier engineer.

## YOUR GUARANTEE IS VALID ONLY IN THE UK & ROI.

To register your appliance simply complete the card in your appliance pack and return it with a stamp affixed or alternatively you can register online at [www.montpellier-appliances.com/support](http://www.montpellier-appliances.com/support)

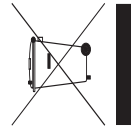
## SERVICE HELP-LINE

Should your appliance develop a fault, please call the Montpellier customer service helpline on: **01759 487839**.

Please remember to have all your product details available, including the model number, serial number, date of purchase and your retailer's details before registering a fault.

Your service call cannot progress without this information.

---



**Montpellier Domestic Appliances Ltd.**  
Unit 1, Tewkesbury Retail Park, Northway Lane,  
Tewkesbury, Gloucestershire GL20 8JU

[www.montpellier-appliances.com](http://www.montpellier-appliances.com)

The symbol on the product or on its packaging indicates that this product may not be treated as household waste. Instead it shall be handed over to the applicable collection point for the recycling of electrical and electronic equipment. By ensuring this product is disposed of correctly, you will help prevent potential negative consequences for the environment and human health, which could otherwise be caused by inappropriate waste handling of this product. For more detailed information about recycling of this product, please contact your local city office, your household waste disposal service or the shop where you purchased the product.